

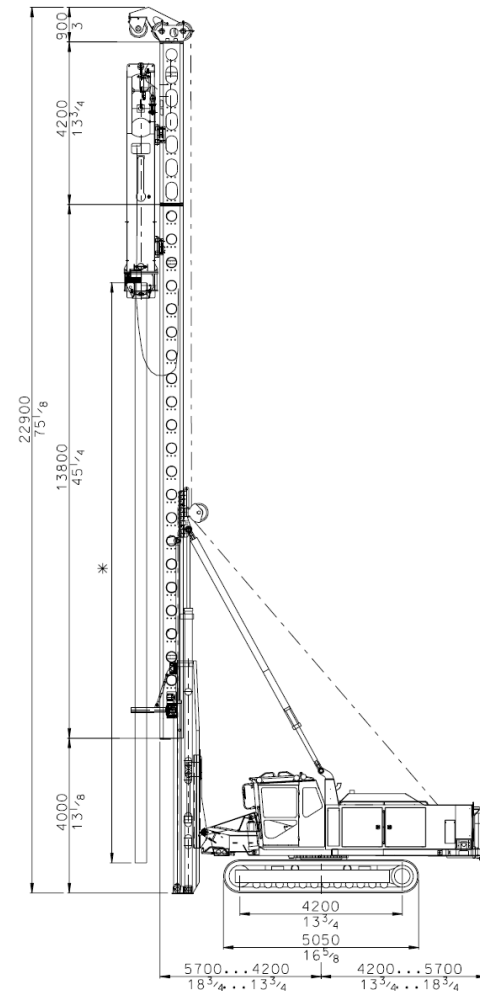
Junttan PM20/L/LC Information Sheet



Working Conditions

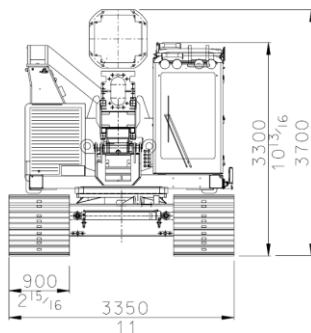
Technical Data

Types of Piles	Steel, Concrete and Timber.
Length telescopic leader	Max 21.3 Min 17.9m
Base Machine	Junttan
Transport Weight	48, 54 & 59 Te
Transport Height	3.7m
Transport Width	3.35m
Transport Length	18.9m
Hammer Type	HHK 4a & 5a accelerated
Stroke	Variable 0 – 1200mm
Nominal Bearing Pressure	Approx 200kN/m ²
Max Pile Length	15m
Maximum Leader Rake	Refer to Operators Manual



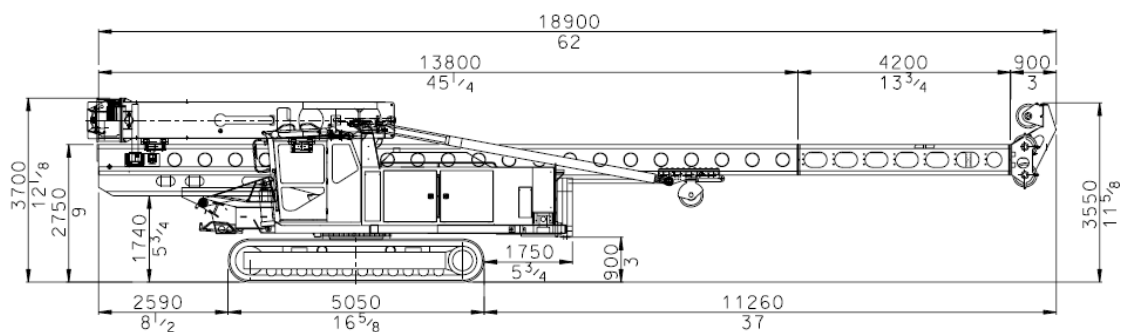
Standard PM 20LC with top cathead

Transport Conditions



Minimum track width.

Transport Conditions



Standard PM 20LC transport dimensions with HHK 5A hammer.