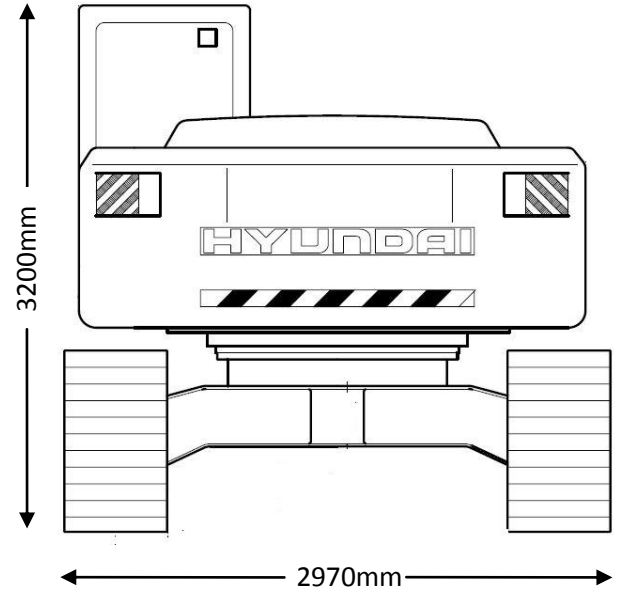


**Viking Hyundai
Restricted Access Driven Rig
Information Sheet**



Technical Data

Base machine	Hyundai R210	
Hammer Type	Viking VR1 2000	
Hammer Weight	2000 kg	
Hammer Stroke	50-1300mm	
Working Heights		
Maximum Leader	10500mm	
Minimum Leader	5700mm	
Maximum Pile Section	8m length 410mm OD	
Weight and Dimensions		
Transport width	mm	2970
Transport height	mm	3200
Transport Length	mm	10500
Operating weight	tonne	27.4
Transport weight	tonne	27.4
Working Dimensions		
Normal Overall length	mm	9550
Track shoe width	mm	600
Overall width	mm	2970
Ground pressure	MPa	0.18



Working Conditions

